



ROTOPLAT 508

*Semi-Automatic Turntable
Stretch Wrapping Machine*



Touch
*the
Technology*



Feel
*the
Future*

setting the standards



The key to the success of any activity in the manufacturing environment is setting and holding standards. Stretch wrapping is no exception. To successfully wrap your loads and to ensure that they reach your customer in as-made conditions, it is critical that you set and hold the proper standards for wrapping each of your loads.

Robopac's intuitive 7 inch color touchscreen makes it easy to set up the correct parameters for wrapping each of your loads. You control containment force, rotation speed, roping and banding at 9 levels on each load.

Force to Load



Roping



Film Placement



Rotation Speed



Carriage Speed



holding the standards

Once you've set your standards, the new Rotoplat 508 makes it simple to hold those standards. Robopac's software allows you to record up to 6 unique wrapping programs.

Lock in the best wrap settings for up to six completely unique load configurations and save them. Your operator can then recall the appropriate program over and over with a touch of the control panel. You can name each program to ensure that your operators always select the correct standard.





Robopac's innovative technology allows you to wrap your loads correctly every time, ensuring ultimate load protection and film savings –time after time.

The goal of Robopac's Multi-Level Control Technology is simple: give you the tools you need to successfully wrap your loads and ensure that they reach your customer in as-made condition by setting and holding the proper standards for wrapping each load. To achieve this, Multi-Level Technology addresses three key factors:

Multi-Level Variable Containment Force delivers optimal containment force at each level. Containment force on the Rotoplat 508 is adjustable up to 9 times on each load.

ProActive Corner Compensation combines the latest in motor and load cell technology to give you the ability to wrap any load securely without crushing the corners of the load. The corner of every load is the biggest constraint to film savings and load containment. Competitive systems deliver 30% to 40% higher containment on the corners of the load than in the middle causing either repetitive film breaks or load failures due to crushing and collapsing the corners of your boxes. Robopac's 508 will provide a more consistent containment force across the entire perimeter of the load.



Strategic Film Placement allows you to place the film exactly where it has the most impact on load stability and containment. This innovative technology allows you to place bands of film or roped film in critical areas of your loads. Thousands of hours of testing in our labs have shown that putting film in the correct position, with the correct containment force is key to successfully shipping any product.

safety

The safety of your operators and employees is of prime importance to us at Robopac. All our equipment is CE Certified. CE represents the strictest and most widely accepted safety and electrical standards in the market. We include safety features like an anti-fall device, roll carriage safety stop and 65" diamond plated turntable as standard options. Our competitors either don't offer these critical safety features or consider safety optional and charge you hundreds of dollars to rise to our standard of safety.



Anti-fall device: The film carriage's anti-fall device protects workers and products in the unlikely event of chain slippage or breakage.



Operator protection: A safety distance of 23" between fixed and moving parts provides an added level of safety for your operators.

Roll Carriage Location: Roll Carriage is on the operator side of the machine, near the control panel. This keeps the operator out of the wrapping zone when



interacting with the load.

Roll carriage safety stop: Immediately stops the roll carriage in the event a person or product contacts the roll

carriage as it travels downward. This protects both your people and your product from injury and damage.

65" diameter diamond plate turntable: The

65" turntable is made of 3/8" diamond plated steel that prevents your load from shifting, offers added slip resistance when employees step on the turntable and will easily accommodate a 40" x 48" load with no unsafe overhang.



Emergency stop: Large button located prominently on control panel stops all machine operations immediately.

popular options

NEW Automatic Roping Device

Roping device attached to roll carriage ropes the entire web of film from the top down.

Pneumatic device can be turned on or off at up to 9 different preset locations on each load. Roping from the top allows you to apply a high tensile strength rope of film to the pallet wherever it is needed to improve load integrity. Full web film roping is the best way to lock the load to the pallet.

Integrated Scale Package

Built-in 5,000 lb capacity scale system allows you to wrap and weigh your loads in one easy step. Integrated design increases the height of the turntable by less than 1". Scale is NIST Certified and comes pre-calibrated. Includes digital readout.

Automatic Film Cutting Device

Automatically cuts film at end of wrap cycle, saving operator an estimated 30 seconds per load.

roll carriage

Robopac's Patented Powered Pre-Stretch Roll Carriage

The Rotoplat 508 features an S winding pattern roll carriage with Quick Load System that provides 40% more film contact than the W winding pattern (commonly used by competitors) to provide better control of film through the roll carriage and fewer film breaks.

The containment force is adjustable via the operator control panel. Robopac's patented high-performance S-Wrap Pattern (with Quick Load System), load cell corner compensation and containment force device give you total film control.

Six selectable wrap patterns allow you to optimize each of your load types, reduce damage, improve productivity and reduce film costs.



turntable

The Rotoplat 508 turntable is supported by 28 heavy duty casters and can handle loads up to 4,400 lbs. Weight capacity increases to 5,500 lbs by simply adding 16 casters. This can be done at order entry or added later in the field.

The heavy duty 65-inch turntable is powered by a full 1 horse power AC motor and is made from 3/8" diamond plated steel. The oversize turntable safely and easily accommodates a 40" X 48" with no overhang. The diamond pattern on the turntable plate ensures better grip on any load to avoid slippage during the wrapping process.

standard features



Roll carriage lift motor with encoder, delivers precise placement of the film (within 0.2 inches of setting) when used in CUBE mode.

Photocell automatically detects top of load and utilizes infrared sensors that provide better readings on dark and/or shiny products that can provide false readings with traditional sensors.

NEMA 12 control panel enclosure protects against dust, dirt, fibers and lint. It also protects from dripping water, external condensation and other noncorrosive liquids.

Tubular cold rolled steel mast provides superior rigidity, minimizing torque and flex.

Heavy duty chain provides smooth and accurate carriage travel up and down. New heavy duty 1 hp AC motor and gear box ensure years of trouble-free performance.

Forklift portable from both the front and back. Making it safe and easy to place the Rotoplat 508 anywhere in your operation.

CE approved, conforming to global electrical and safety standards.

Control panel is UL508 approved.

specifications

Technical Features

Rotoplat 508

Performance

Production Speed	Up to 40 LPH
Turntable Speed	5-12 RPM
Turntable Drive	1 HP VAC

Load Handling

Turntable Size	65" diameter diamond plate
Maximum Load Height	110"
Maximum Load Weight	4,400 lbs

Film Delivery System

Film Delivery System	Powered Dual Stretch
Standard Pre-Stretch	250% Fixed Pre-Stretch
Containment Force	Variable electronic with up to 9 different levels per load
Corner Compensation	Load Cell
Roll Carriage Speed	Variable up and down
Standard Film Width	20"
Automatic Film Cut	Option
Load Height Detection	Infrared photocell detects dark, clear and reflective products. Eliminates false reading of gaps in loads.

Safety Features

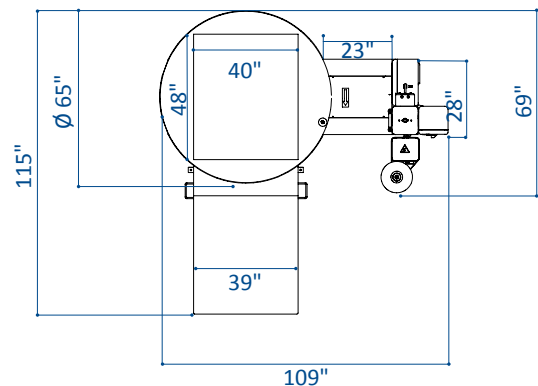
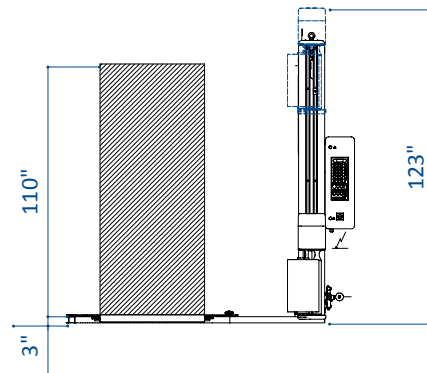
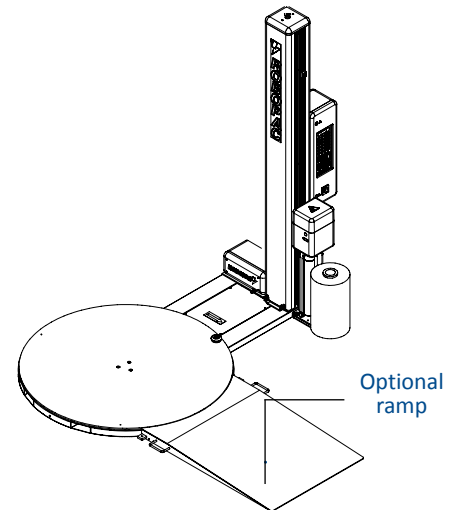
Roll Carriage Safety Stop	Standard
CE Compliant	Yes
Anti-Fall Device	Standard
Lock-Out/Tag-Out Compliant	Yes

Additional Features

Top Sheet Wrap	Standard
Banding	Standard
Forklift Portable	Front and rear

Service Requirements

Electric	110VAC/1ph/60Hz (+/-10%)
NEMA 12 Enclosure	Standard
Warranty	1 Year



Features Adjustable via Control Panel

- Turntable rotation speed
- Upward/downward carriage speed
- Film tensioning
- Upward/downward Force to Load
- Bottom wraps
- Top wraps
- Wrapping start point
- Photocell sensing delay

Wrap Cycles and Custom Programs

- Top sheet cycle
- Top platen cycle (top platen is optional)
- Reinforcing wrap cycle
- 6 user defined programs

popular options



Scale Package

Built-in 5,000 lb capacity scale system allows you to wrap and weigh your loads in one easy step. Integrated design increases the height of the turntable by less than 1". Our scale is NIST Certified and comes pre-calibrated. It includes a digital readout.

Heavy Duty Support

Additional rollers allow the turntable to support heavier loads to 5,500 lb. Strategic placement keeps turntable top from buckling and reduces wear on parts.



Roping Device

Roping device attached to roll carriage ropes the entire web of film from the top down. Pneumatic device can be turned on or off at up to nine different preset locations on each load. Roping from the top allows you to apply a high tensile strength rope of film to the pallet wherever it is needed to improve load integrity. Full web film roping is the best way to lock the load to the pallet.



Robopac is the global leader in the stretch wrapping industry. Our line of semi-automatic and automatic stretch wrapping equipment combines technology, innovation and experience into products that deliver results you can depend on.

Robopac is ISO 9001:2008 certified and all our equipment meets the strictest global safety standards, including CE.

In 2008, Robopac hired Porsche Lean Consulting to help us implement their lean manufacturing process in our factory. This process allows us to build our equipment faster, better, for less.



Aetna Group holds over 100 patents and our commitment to innovation is the heart of our organization. With over 80 employees dedicated to Research & Development and a \$7.6-million investment in R&D in 2011, we are committed to maintaining our position as the global leader in secondary packaging.

Aetna Group has more than 120,000 machines installed around the world and currently produces 6,700 machines annually, more than twice that of our nearest competitor.

Our four product lines: Robopac, Robopac Sistemi, Dimac and Prismatic offer complete lines of innovative stretch wrapping systems, bundlers, shrink wrappers, cartoning systems and tape machines through a global network of over 400 agents and distributors. We also employ over 80 technical service engineers ready to provide prompt and courteous support, whenever and wherever you need it.

www.pakmak.com